

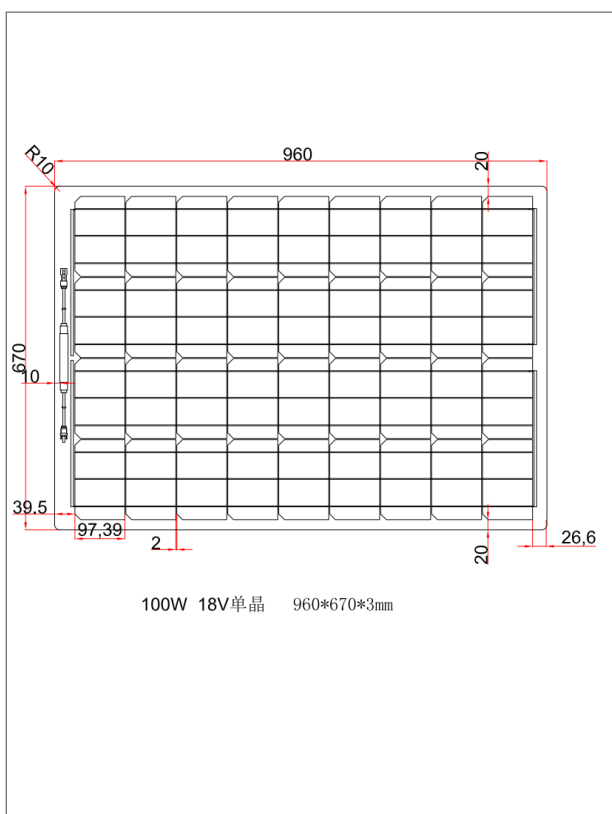
FP-100W18V

Flexible Solar Panel FP Series



— PCB Material —

Module Diagram



Electrical Characteristics

| | |
|---------------------------------|------------|
| Maximum power(Pmax) | 100W |
| Open-circuit voltage(Voc) | 21.3 |
| Voltage at Pmax(Vmp) | 17.8 |
| Short-circuit current(Isc) | 6.07 |
| Current at Pmax(Imp) | 5.62 |
| Cells Efficiency(%) | 18.43% |
| The maximum system voltage | 60VDC(IEC) |
| Power temperature coefficient | -0.43%/°C |
| Voltage temperature coefficient | -0.34%/°C |
| Current temperature coefficient | 0.05%/°C |
| Output power tolerance | ±3% |
| Operating Temperature | -20~75°C |

Specifications

| | |
|-----------------------------|----------------------------------|
| Solar cell brand | A Grade Solar Cells |
| No.of cells and connections | 36(4*9) |
| Module dimension | 960*670*3mm |
| Weight | 2.9KG |
| Maximum bending arch height | 40mm |
| Waterproof junction box | IP65/IP67 |
| Warranty | 1 year and service life 10 years |